



EPM37901004



## Digital Potentiometer

EPM 3790 Digital Potentiometer is a compact solution for Start/Stop/Forward/Reverse push buttons and Indicator, with set speed on the fly. Four large digit displays and password protection. Scales from -1999 to 9999 with moveable decimal point.

### Features & Benefits

- Features

Forward or Forward and Reverse operation

**NEW!!!**

# DIGITAL POTENTIOMETER

# EPM 3790



77 x 35 x 62.5mm

## EPM 3790

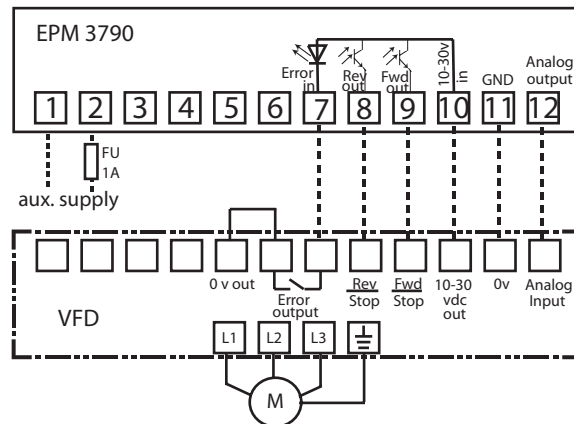
### Features

- Set speed on-the-fly
- Adjustable ramp up & down times
- Large 4 digits display
- Password protection
- Forward or Forward and Reverse operation
- User adjustable Low & High limits
- Scale from -1999 to 9999
- Moveable Decimal point
- Fwd/Rev direction outputs (digital 5mA@30vdc max)
- Error input (digital)
- Analog output 0/2 - 10vdc or 0/4 - 20mA
- 12 bit resolution

### Specifications

Operating Temp.: .....0 to 50°C  
 Humidity:.....0 to 90% non condensing  
 Protection: .....Nema 4x with optional gasket  
 Dimensions:.....77 x 35 x 62.5 mm  
 Display:.....4 LED, 10mm tall, decimal.

### Connections



### Ordering Information

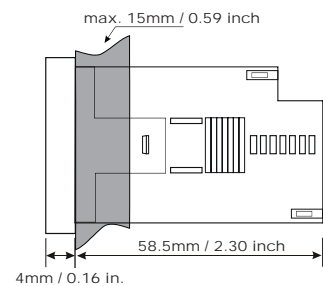
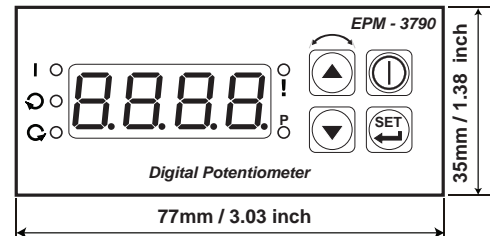
Complete the model number with the appropriate suffix.  
 eg. EPM 3790-1004 for a digital potentiometer requiring 120 vac supply voltage and having a 4 to 20mA output.

A BC D E

**EPM 3790**

A	Supply Voltage
1	100 to 240 vac (-15 + 10%) 50/60 Hz
2	24 Vac/dc (-15 + 10%)
9	Please specify
E	Output
4	0/4 to 20mA dc
5	0/2 to 10Vdc max. 10mA

### Dimensions



*Distributed by:*

**Compact solution for Start/Stop/Forward/Reverse pushbuttons + INDICATOR**